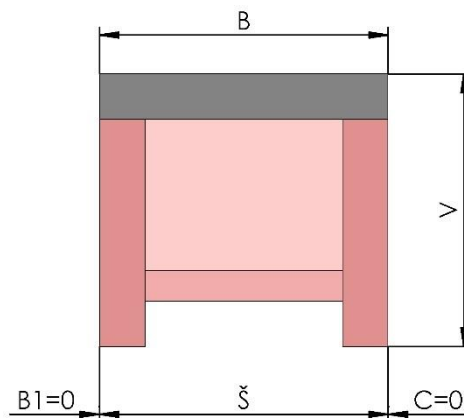


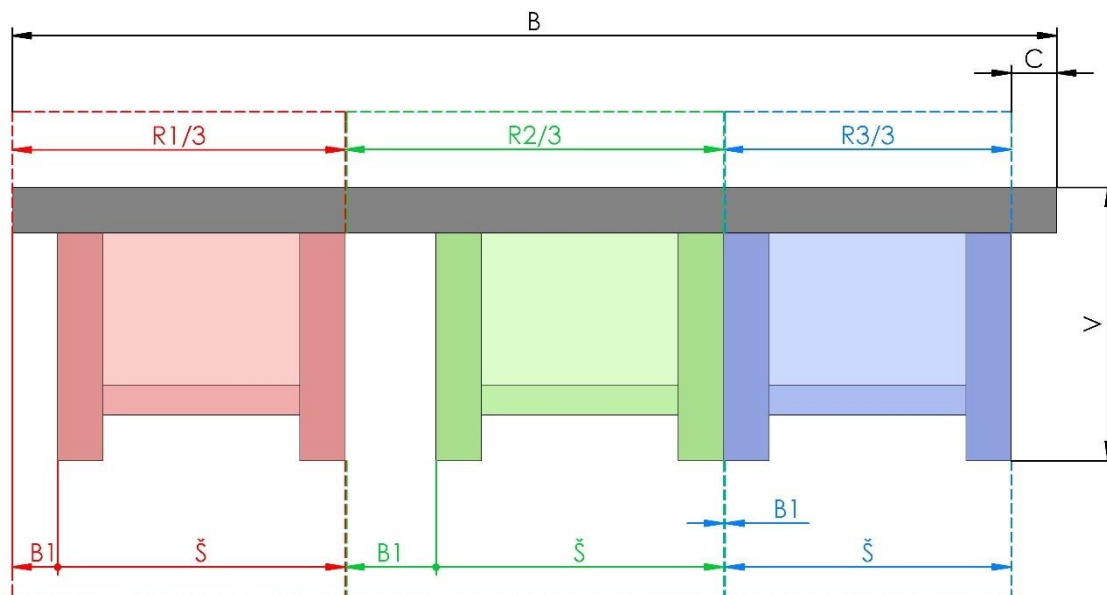
INTERIOR ROLLER BLIND LARRA 30, LARRA 30mp, LARRA 30 box

1. MEASUREMENTS

Sole roller blind



More roller blinds in one cassette



It is possible to place the roller blind into lining or above the opening (on the wall or ceiling).

THE WIDTH AND HEIGHT ARE MEASURED IN THE FOLLOWING MANNER:

Sole roller blind:

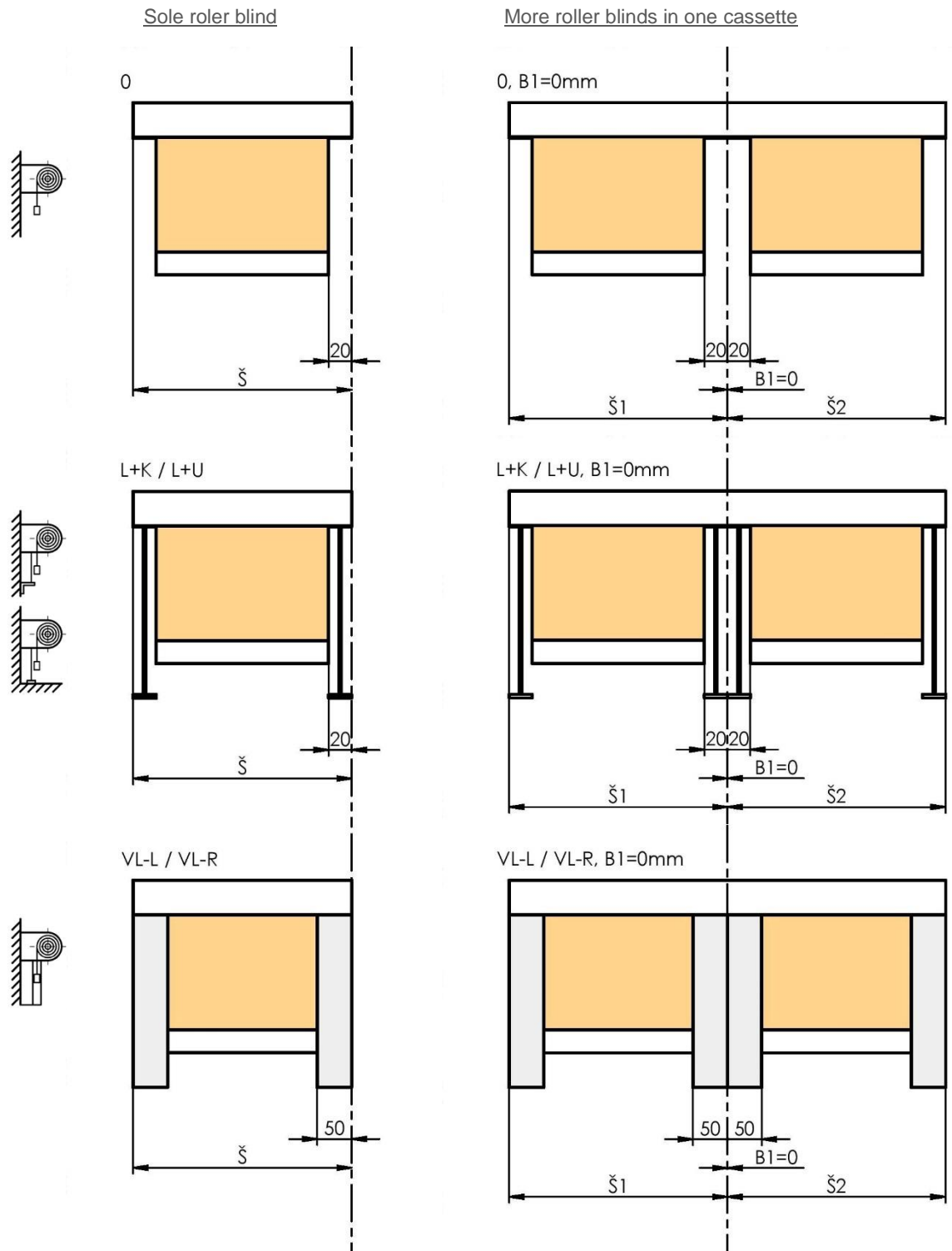
- B – Cassette length – value is same as Š – for LAR30 and LAR30mp is always 0
- Š – Width of blind for installation into lining. You shall measure real width of the opening, deduct 5mm and put this value into the order form. For real width of the blind it is necessary to deduct gaps – see next paragraph.
- Š – Width of blind for installation above the opening. Usually 200mm are added to the measured width of the opening and put into order sheet. For real width of the blind it is necessary to deduct gaps – see next paragraph.
- B1 – Always 0
- C – Always 0
- V – Height – you shall measure the whole height including top profile.

More roller blinds in one common cassette:

- B – Common cassette length for installation into the lining. You shall measure real width of the opening, deduct 5mm and put this value into the order form.
- B – Common cassette length for installation above the opening. Usually 200mm are added to the measured width of the opening and put into order sheet.
- Š – Width of single roller blind. For real width of the blind it is necessary to deduct gaps – see next paragraph.
- B1 – Gap from the edge of the cassette or previous roller blind
- C – Gap between last roller blind and edge of the cassette – control measure.
- V – Height – you shall measure the whole height including top profile.

It is possible to place maximum 5 single independent roller blinds in one common box. Maximum width of one common box is 5700mm. It is possible to place single roller blinds anywhere in the box. Options for single roller blinds in one common box are same as for standard single units. Box dimensions need to be entered always together with the first roller blind. Order of roller blinds is determined from left to right from interior view.

Gaps deduction for real size of fabric



Gaps sizes may vary with +/- 5mm tolerance

Standard sizes LARRA

Fabric		Width (mm)		Height (mm)	
weight	thickness	min.*	max.	min.	max.
up to 170 g/m ²	up to 0,3 mm	300/600	2200	300	4600
	up to 0,5 mm	300/600	2200	300	3500
	up to 0,7 mm	300/600	2200	300	2400
up to 260 g/m ²	up to 0,3 mm	300/600	2200	300	4600
	up to 0,5 mm	300/600	2200	300	3500
	up to 0,7 mm	300/600	2200	300	2400
up to 365 g/m ²	up to 0,5 mm	300/600	2200	300	3500
over 365 g/m ²	up to 0,5 mm	300/600	2200	300	3500
Fabric day-night					
Corfu		300/600	2200	300	2600
Cyprus		300/600	2200	300	2300
Fiji		300/600	2200	300	3000
Parga		300/600	2200	300	4600
Rhodos		300/600	2200	300	3600
Zakynthos		300/600	2200	300	2800

*For chain / For motor

Maximal sizes of roller blind (width and height) depend on used fabric type (resp. its weight and dimension possibilities). Exact guaranteed limited sizes according to particular fabric types (according to the weight) can be found in detailed table which is part of order form.

When using Day/Night fabrics it might cause disbalanced coiling on the tube. This is caused by different thickness of transparent and solid stripes on fabric. This phenomenon is not reason for a claim.

By using roller blind with side rails there might be a risk that the fabric can jump off these rails under unfavorable conditions (especially draft). The bigger the roller blind is the bigger the risk is. To decrease such risk we recommend to use tougher fabrics. This phenomenon is not reason for a claim.

Length of control

500 mm, 600 mm, 1000 mm, 1500 mm, 2000 mm, 2500 mm, 3000 mm, 3500 mm, 4000 mm, 4500 mm, 5000 mm, 5500 mm, 6000 mm

2. ASSEMBLY

Please make the assembly only according to this manual. You can avoid useless mounting failures or other concerning inconveniences. In case of motorized roller blind, has to be cover profile removed and motor has to be activated, before you start installation of product.



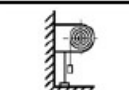

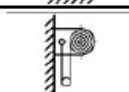
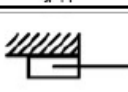
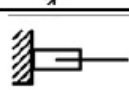
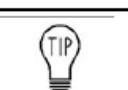


ASSEMBLY TOOLS:

- Tape measure
- Spirit level
- Electric drill as per the source of surface
- Cordless electric drill
- Magnetic adapter, bit PZ2
- hammer
- pliers 2x
- flat screwdriver
- cross screwdriver
- screws, dowels

INSPECTION:

- Before assembly we recommend inspecting all the parts after the delivery of the goods to prevent any problems. Any defects or comments concerning the assembly or blinds must be notified to the manufacturer.

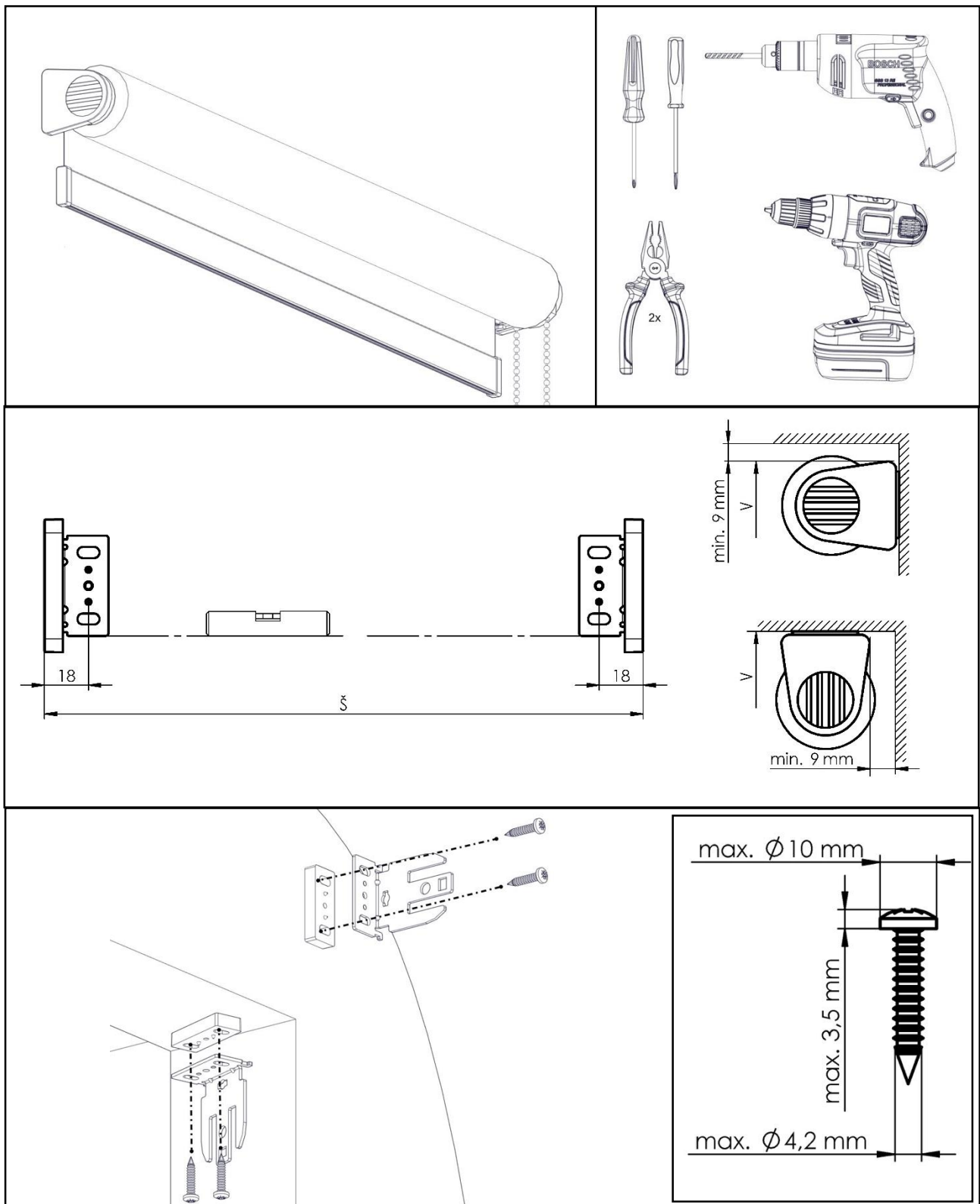
KEY SYMBOLS USED:

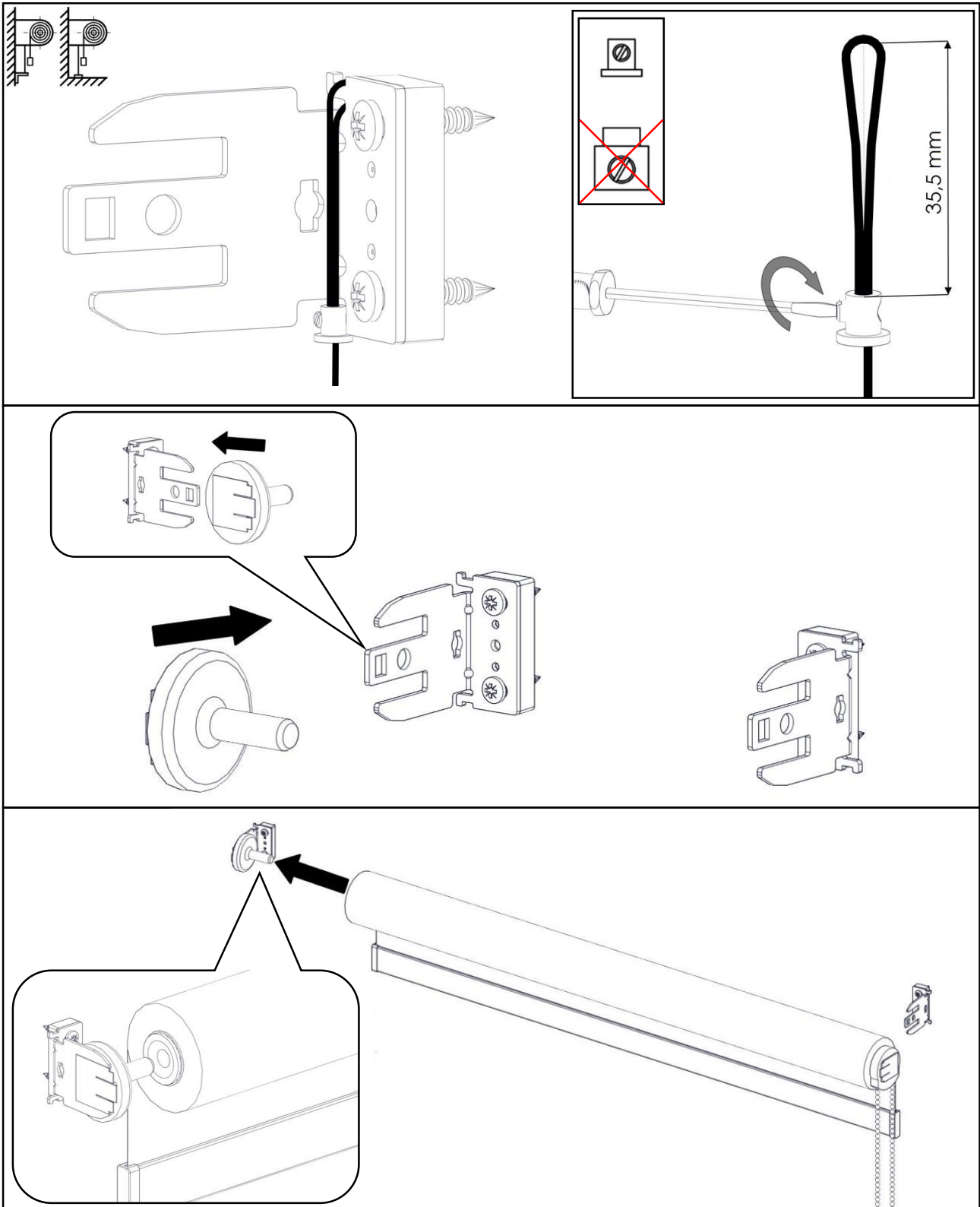
	Valid for freehanging roller blind		Valid for roller blind guided by wire, mounting to the wall
	Valid for roller blind guided by wire, mounting on the sill		Valid for roller blind guided by guiding channels
	Valid for day-night roller blind		Valid for assembly of guiding channels to the wall
	Valid for assembly of guiding channels to the lining		Tip for easy assembly
	Perform a visual inspection		Waste disposal

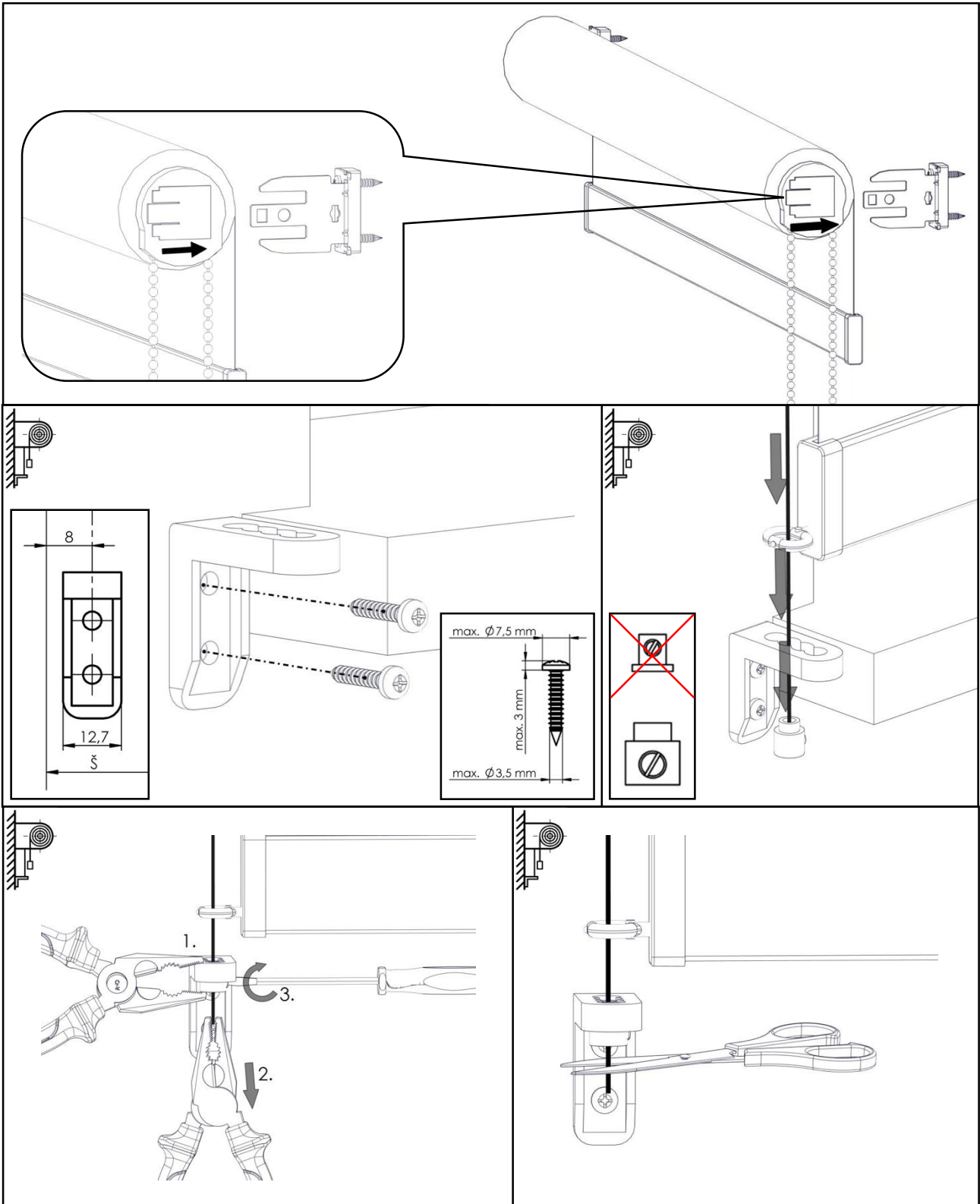
ROLLER BLIND ON SEPARATE BRACKETS:

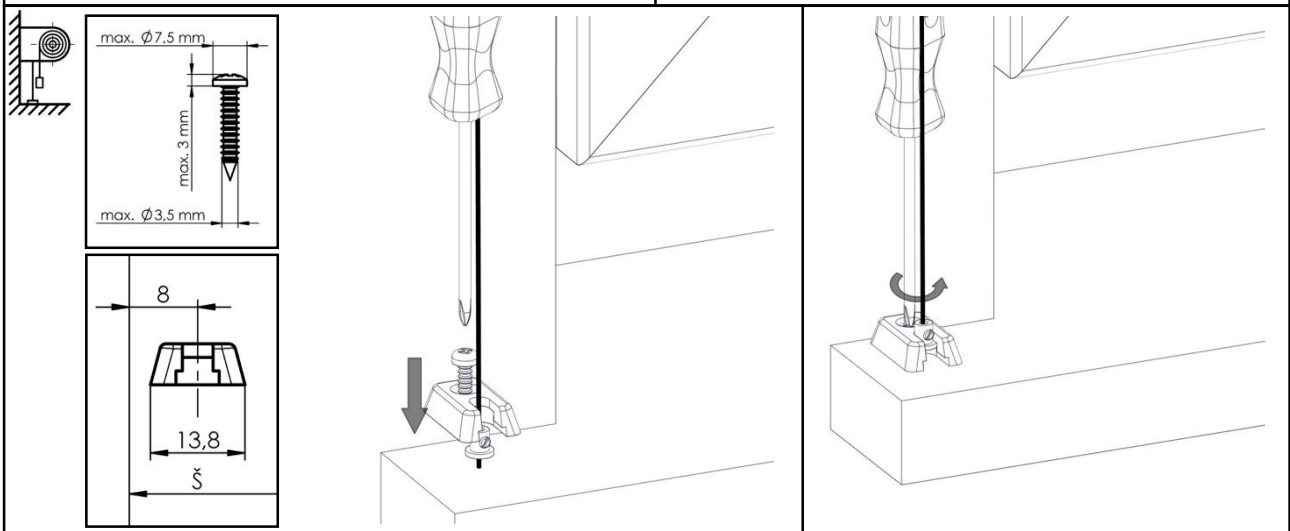
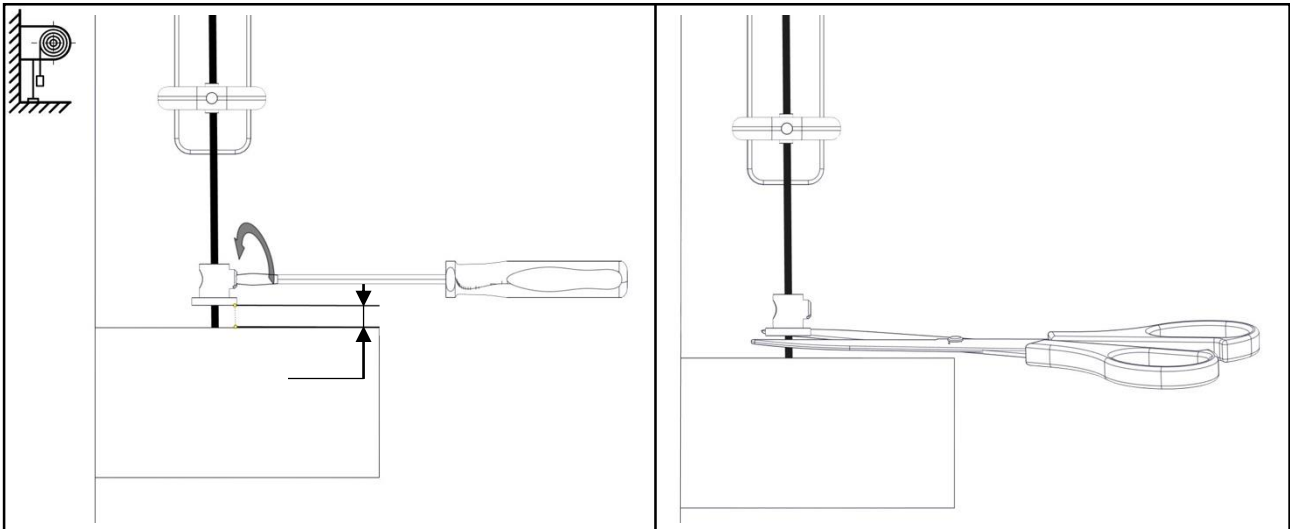
- Roller blind LARRA with separate brackets is delivered in disassembled condition
- Check the roller blind sizes
- Make the mounting according to the picture manual below
- Check end positions, brake function and overall functionality of the roller blind.

Assembly:

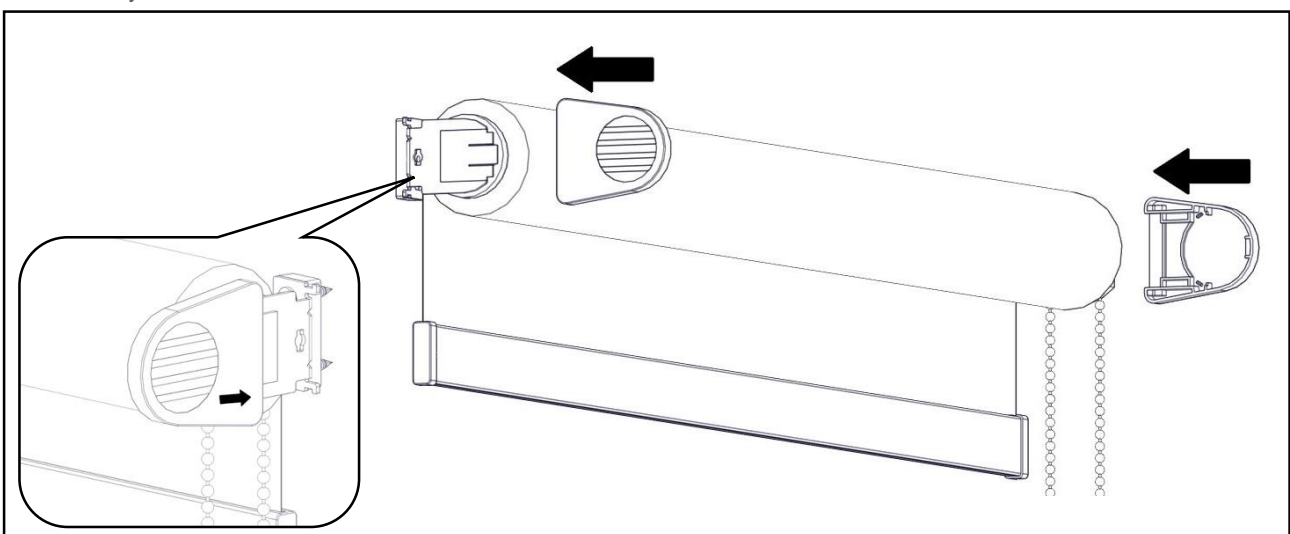








Disassembly:

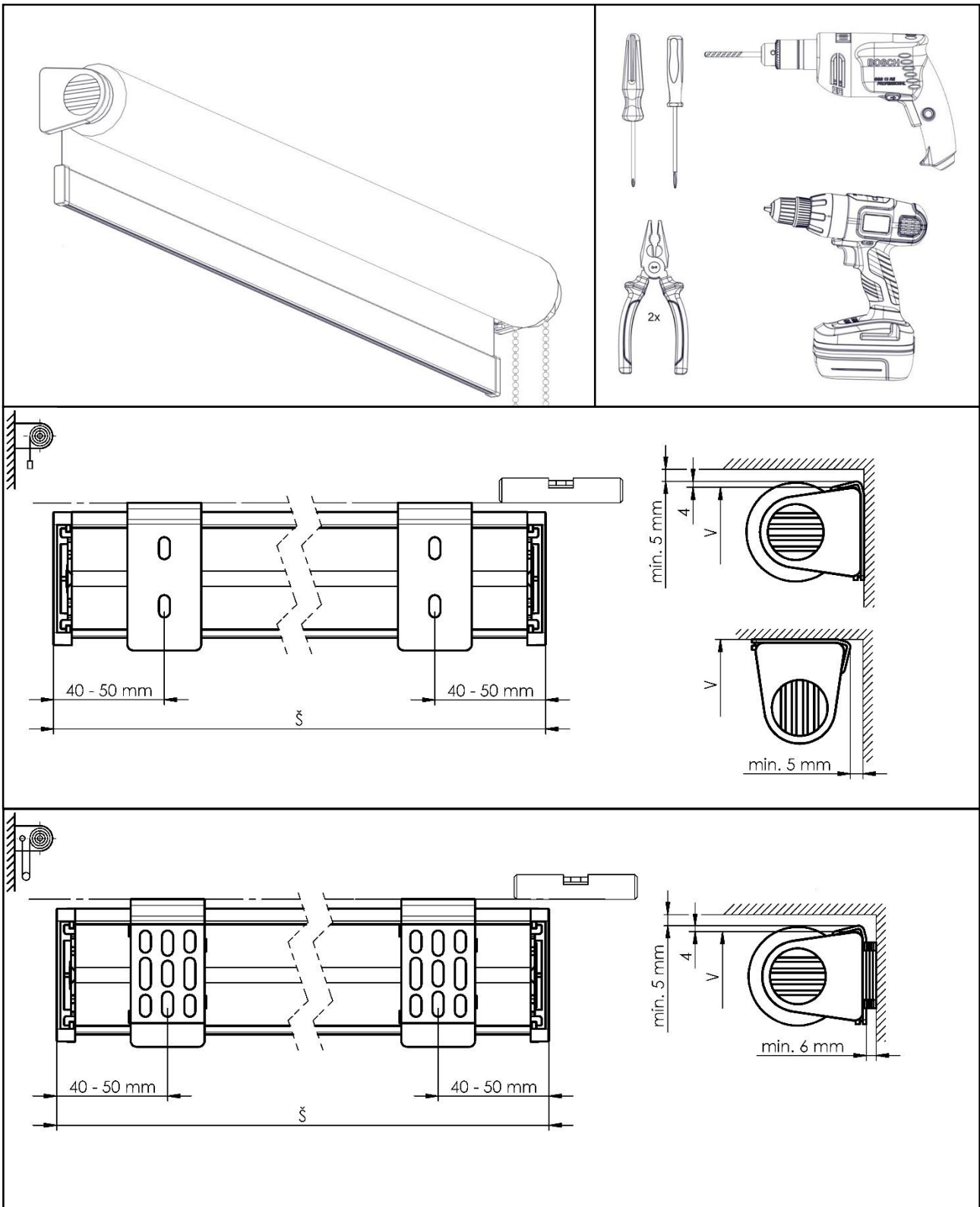


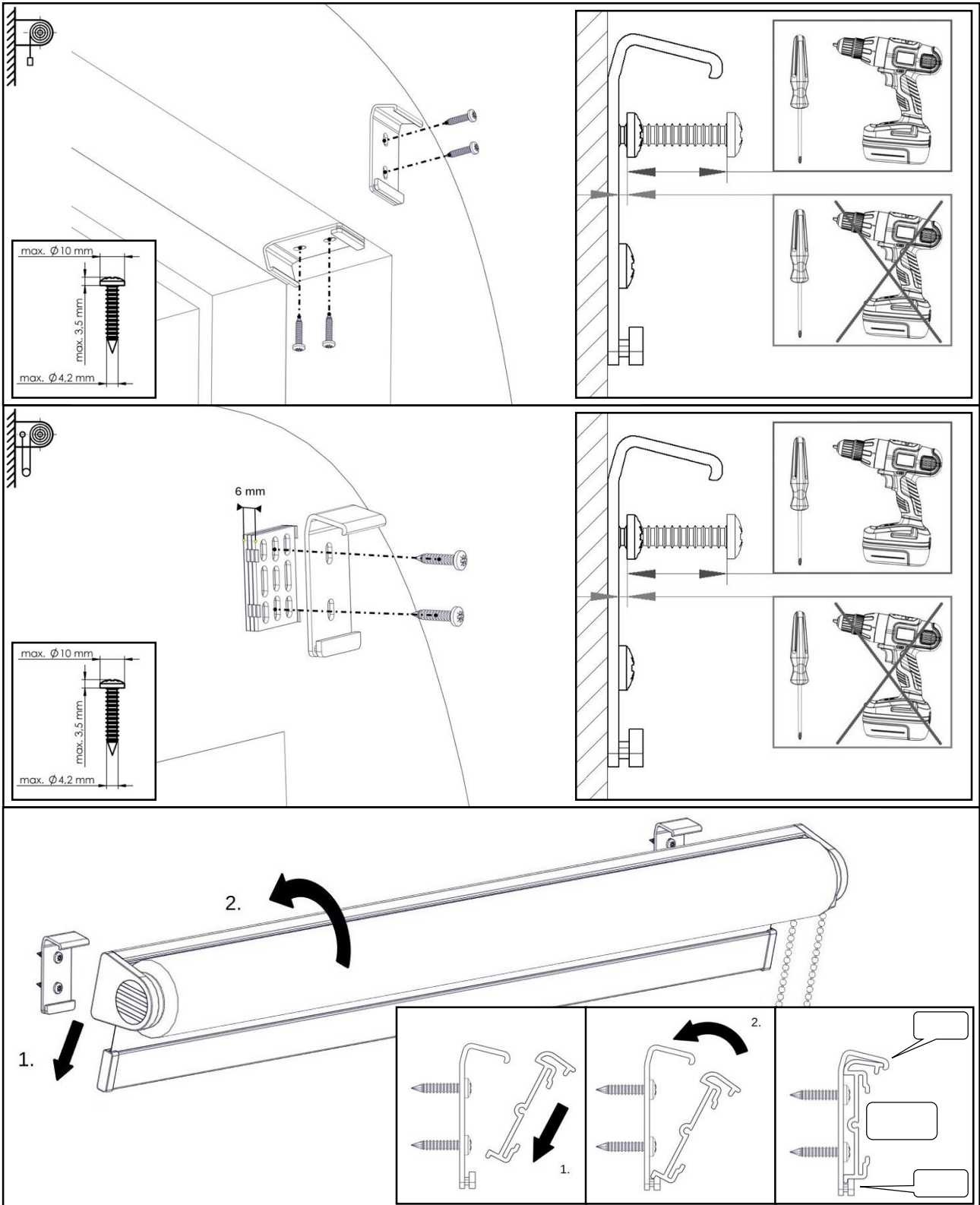
ROLLER BLIND WITH ASSEMBLY PROFILE:

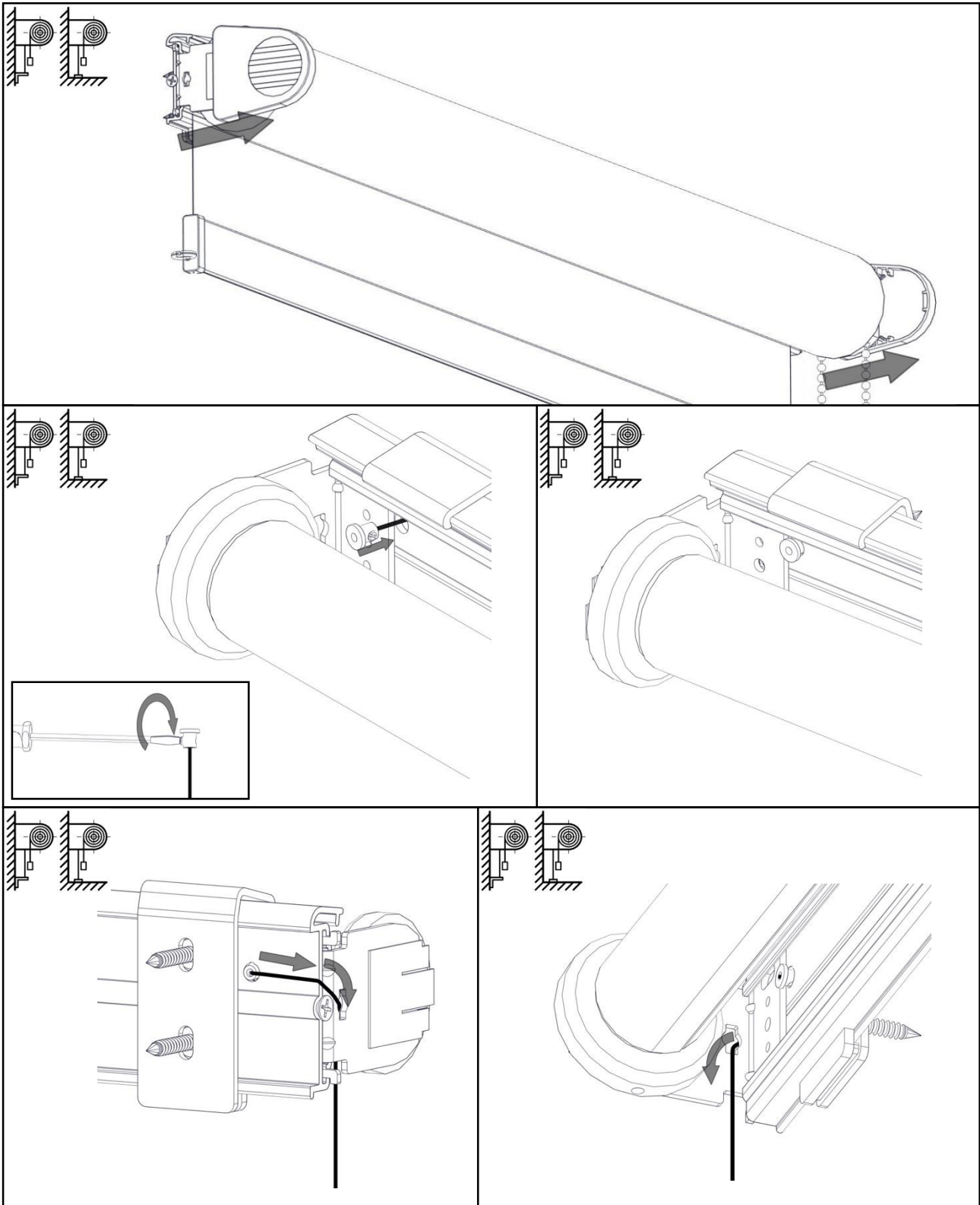
- Roller blind LARRA with mounting profile is delivered in assembled condition directly from the production plant.
- Check the roller blind sizes
- Make the mounting according to the picture manual below
- Check end positions, brake function and overall functionality of the roller blind.

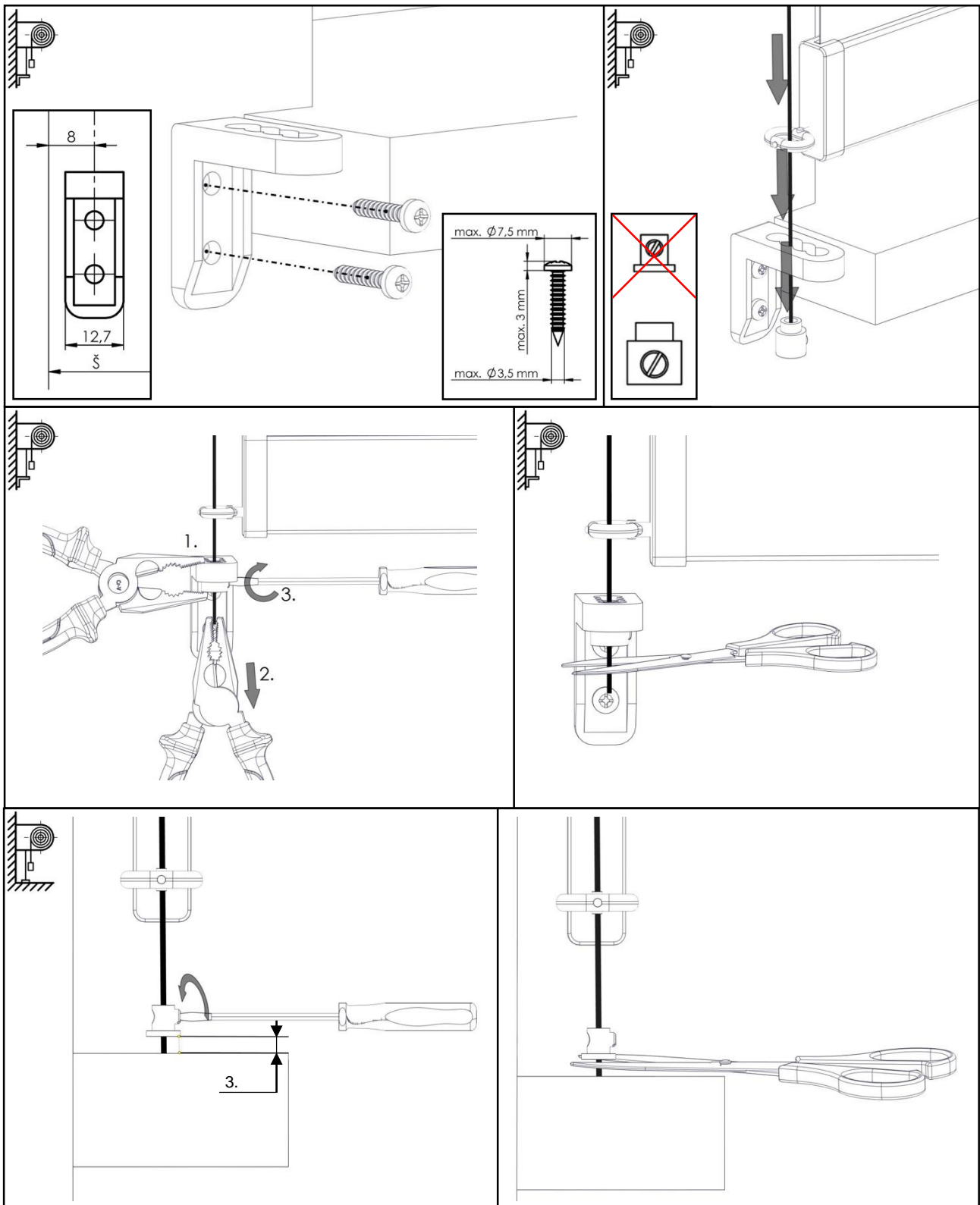
Number of brackets for roller blind with assembly profile	
Roller blind width (mm)	Number of brackets (pcs)
0 – 900	2
901 – 1600	3
1601 – 2200	4

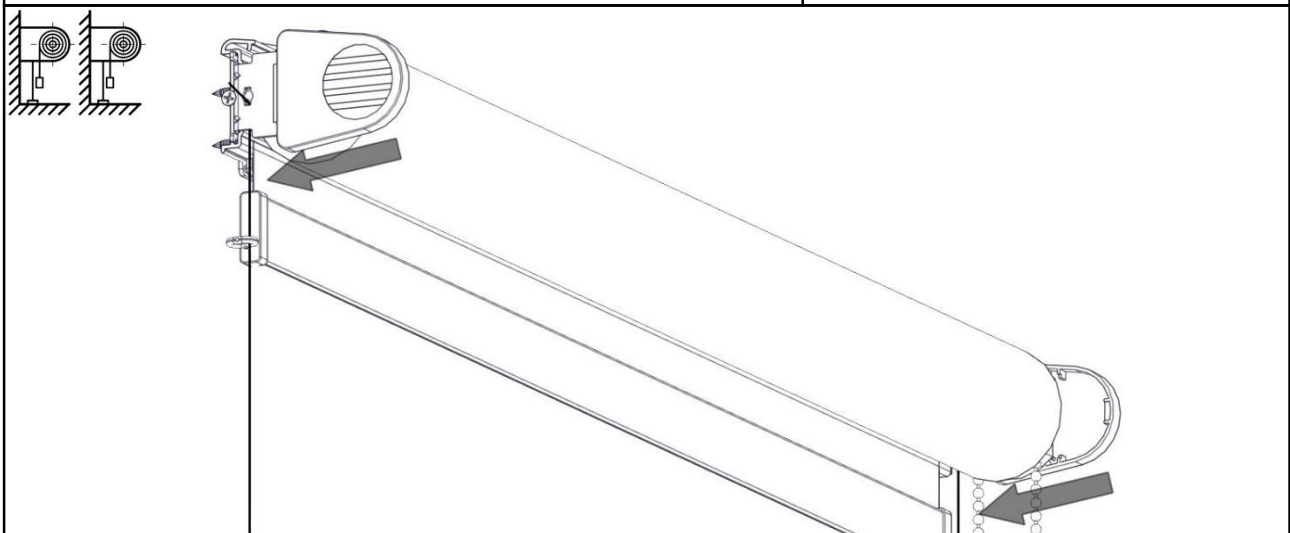
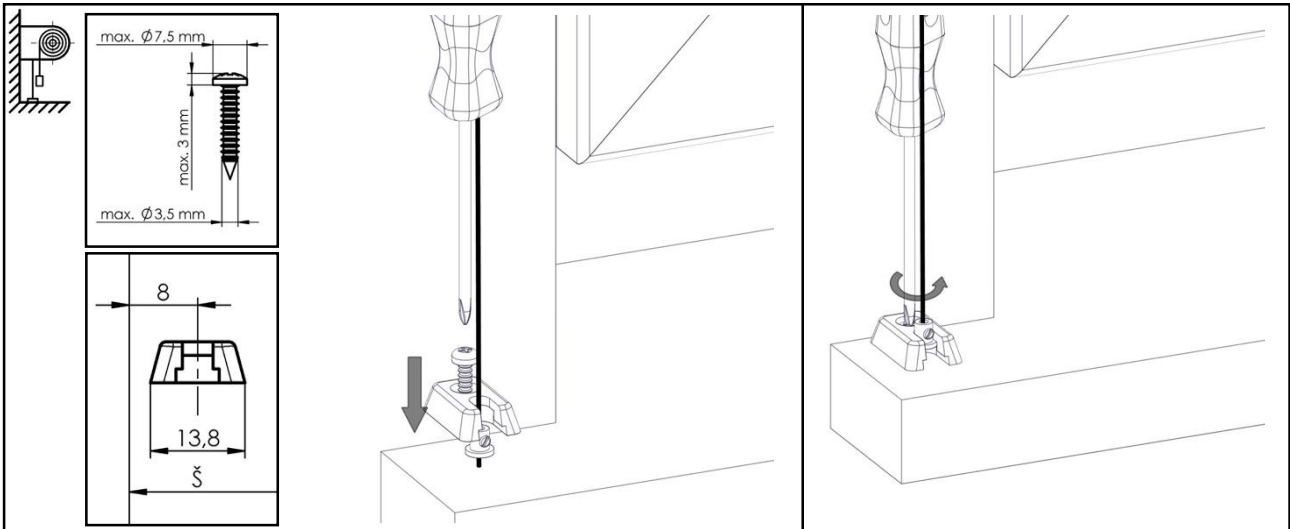
Assembly:



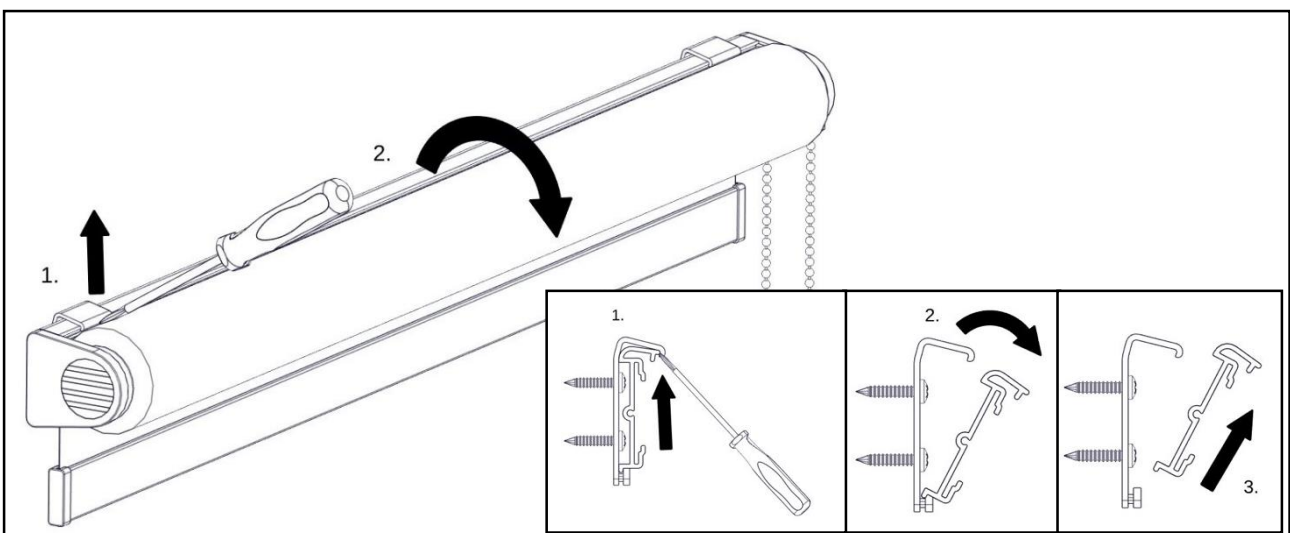








Disassembly:



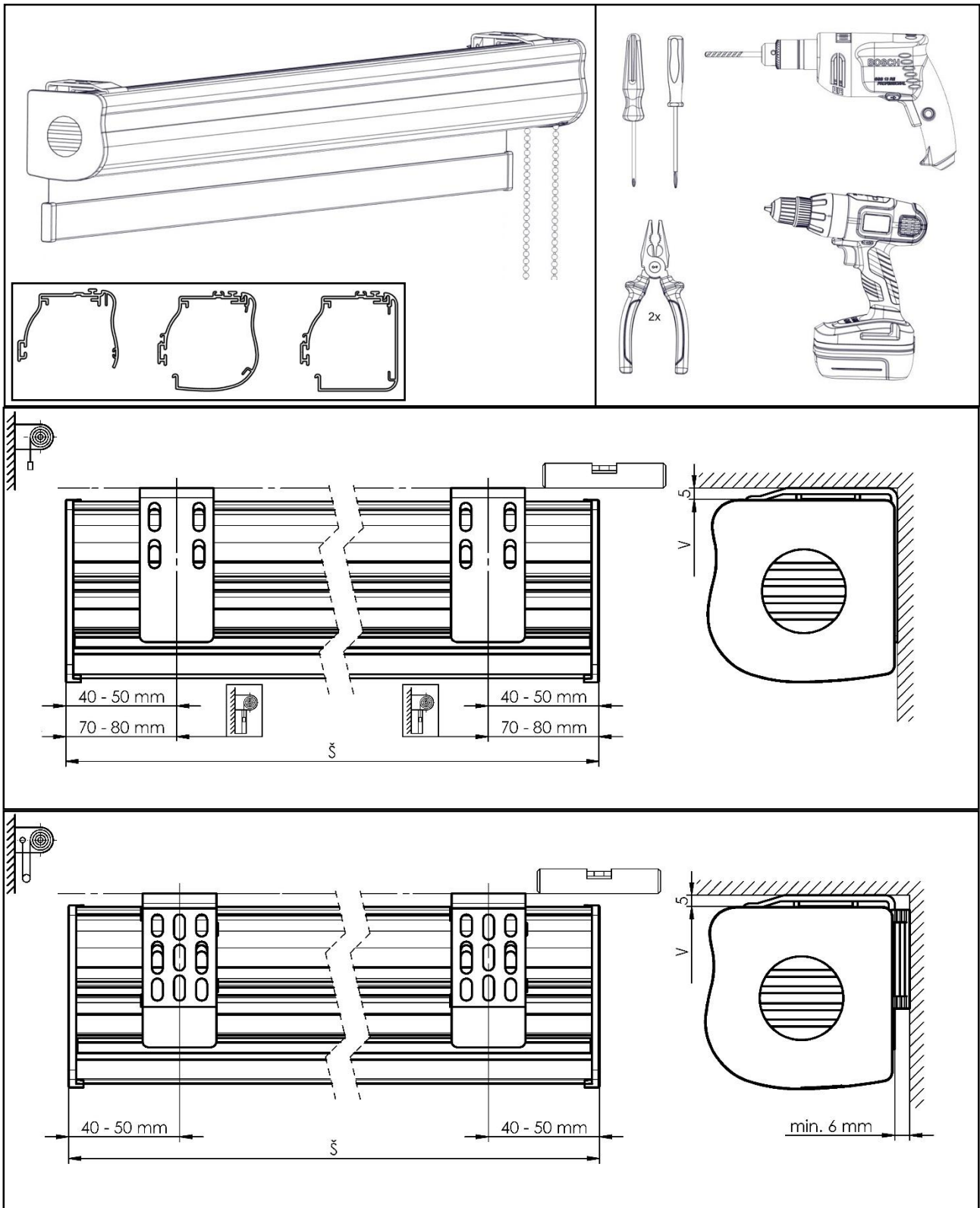
ROLLER BLIND WITH CASSETTE:

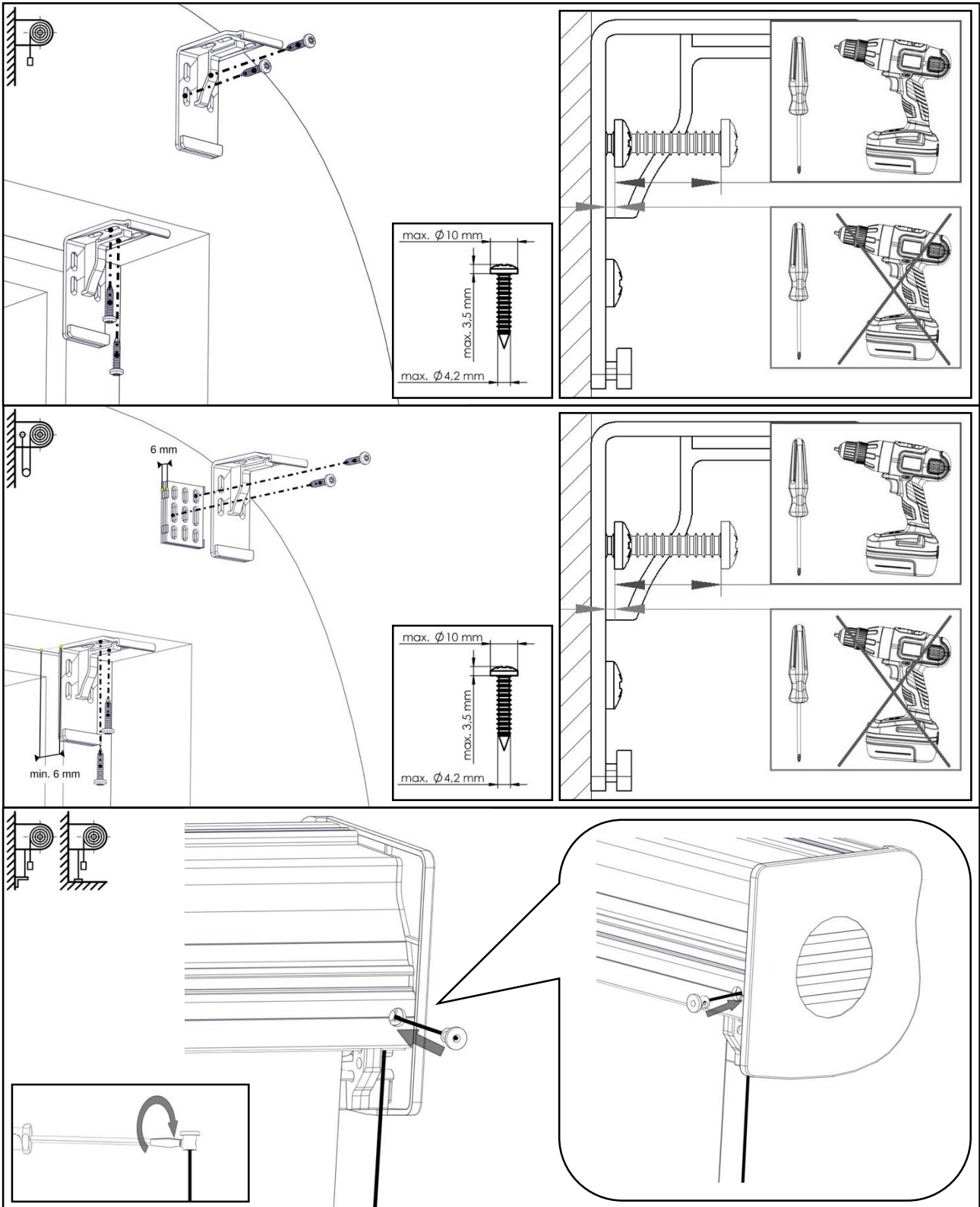
- Roller blind LARRA with cassette is delivered in disassembled condition
- The Velcro, which the box is pulled, we do not remove. The Velcro remove after assembly.
- Check the roller blind sizes
- Make the mounting according to the picture manual below
- Check end positions, brake function and overall functionality of the roller blind.

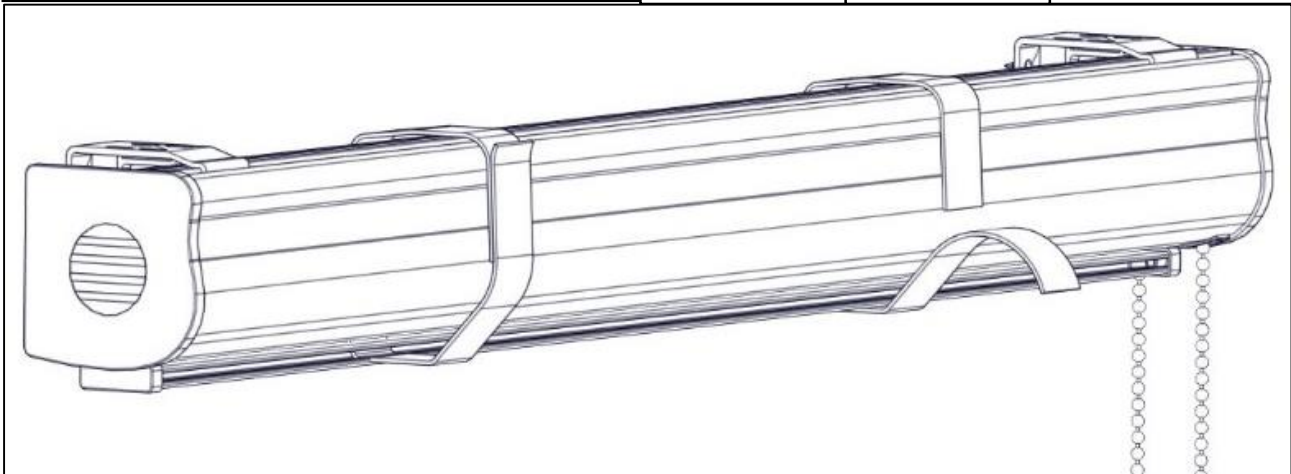
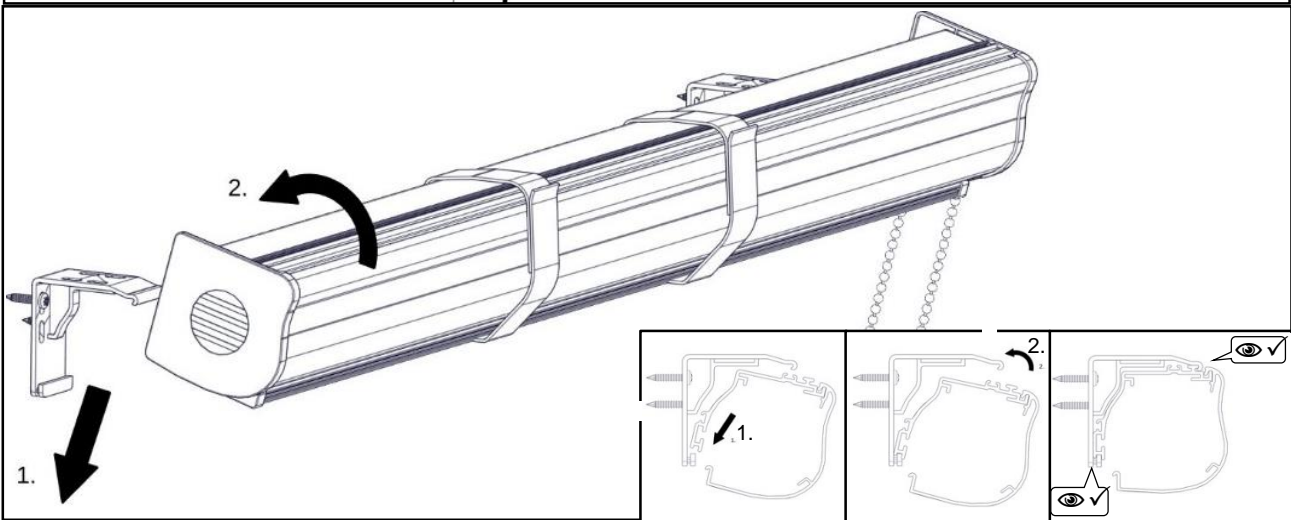
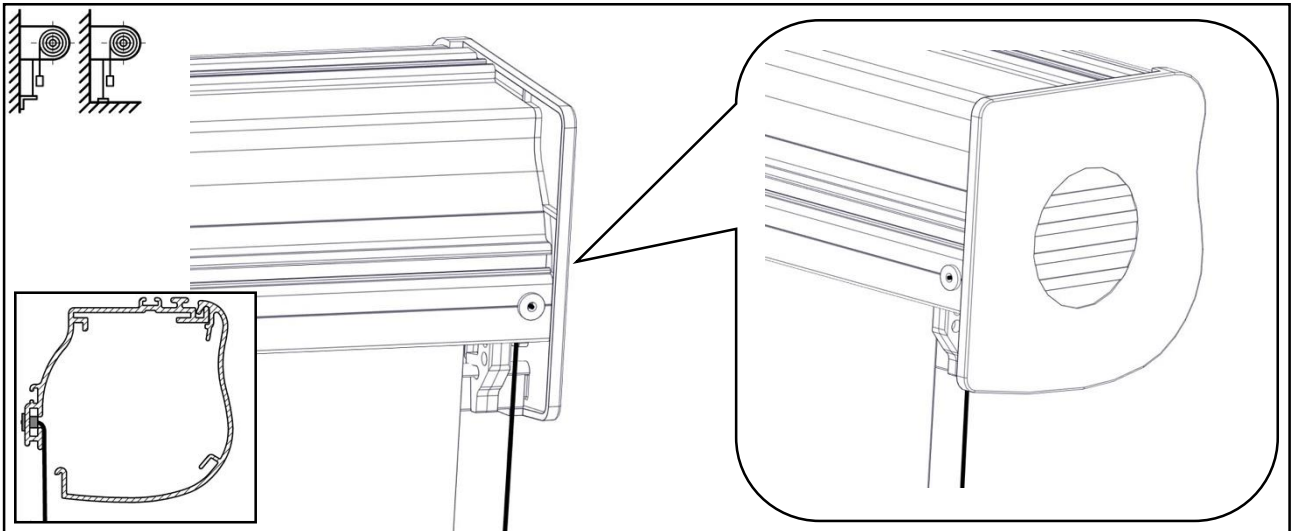
Number of brackets for sole cassette roller blind	
Roller blind width (mm)	Number of brackets (pcs)
0 – 900	2
901 – 1600	3
1601 – 2200	4

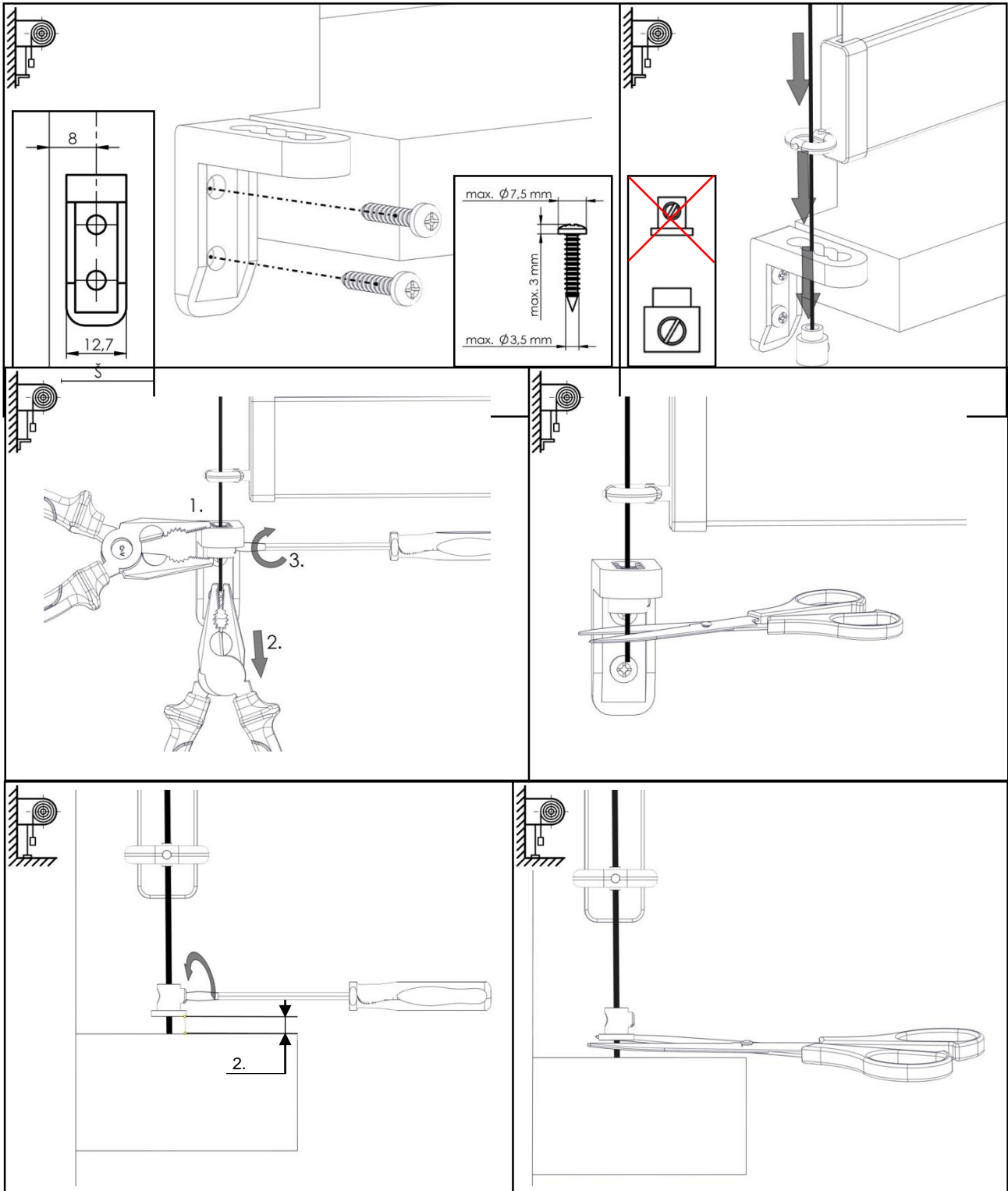
Number of brackets for more blinds in one common cassette	
Roller blind width (mm)	Number of brackets (pcs)
0 – 900	3
901 – 1600	4
1601 – 2200	5
2201 – 3200	7
3201 – 4000	8
4001 – 4800	9
4801 – 5700	10

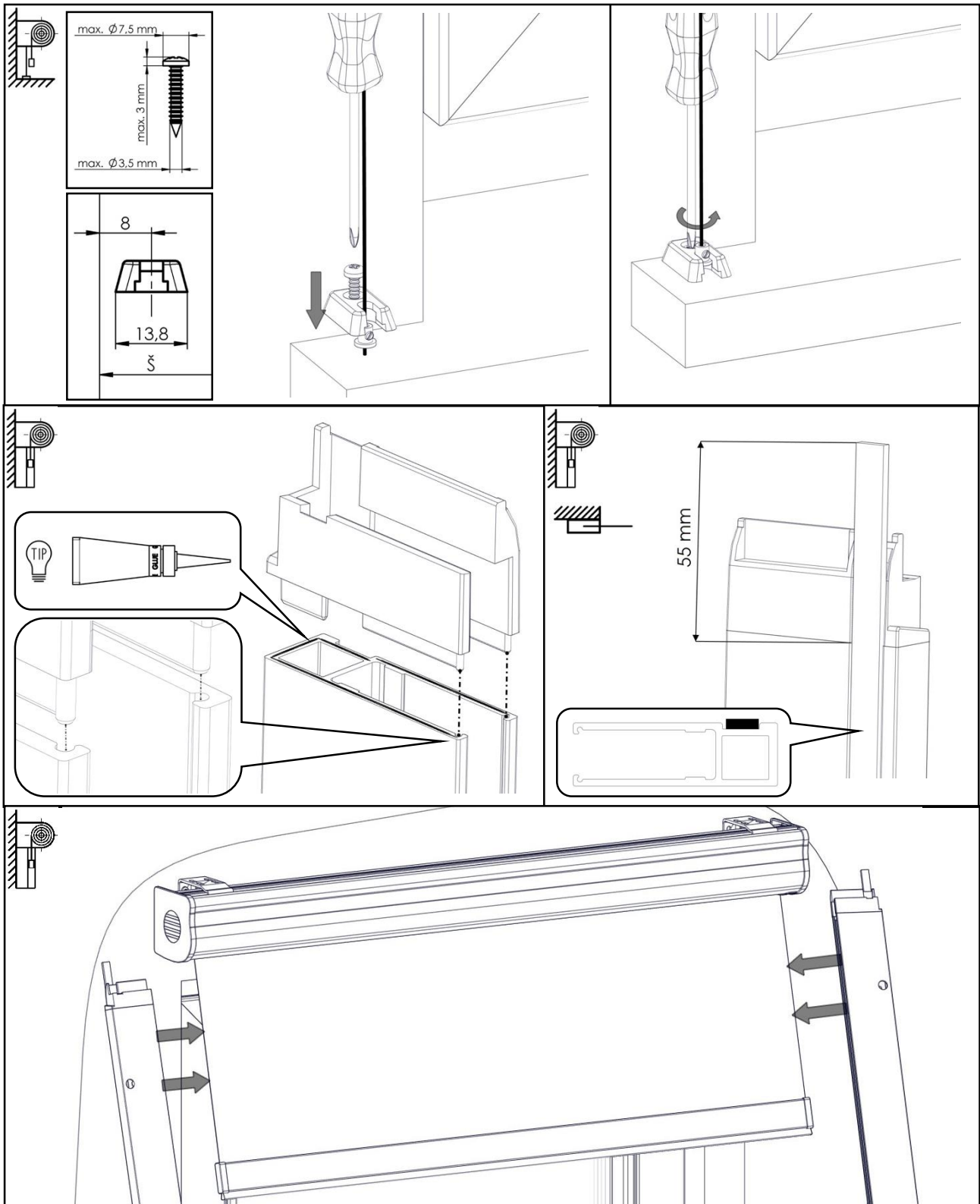
Assembly:

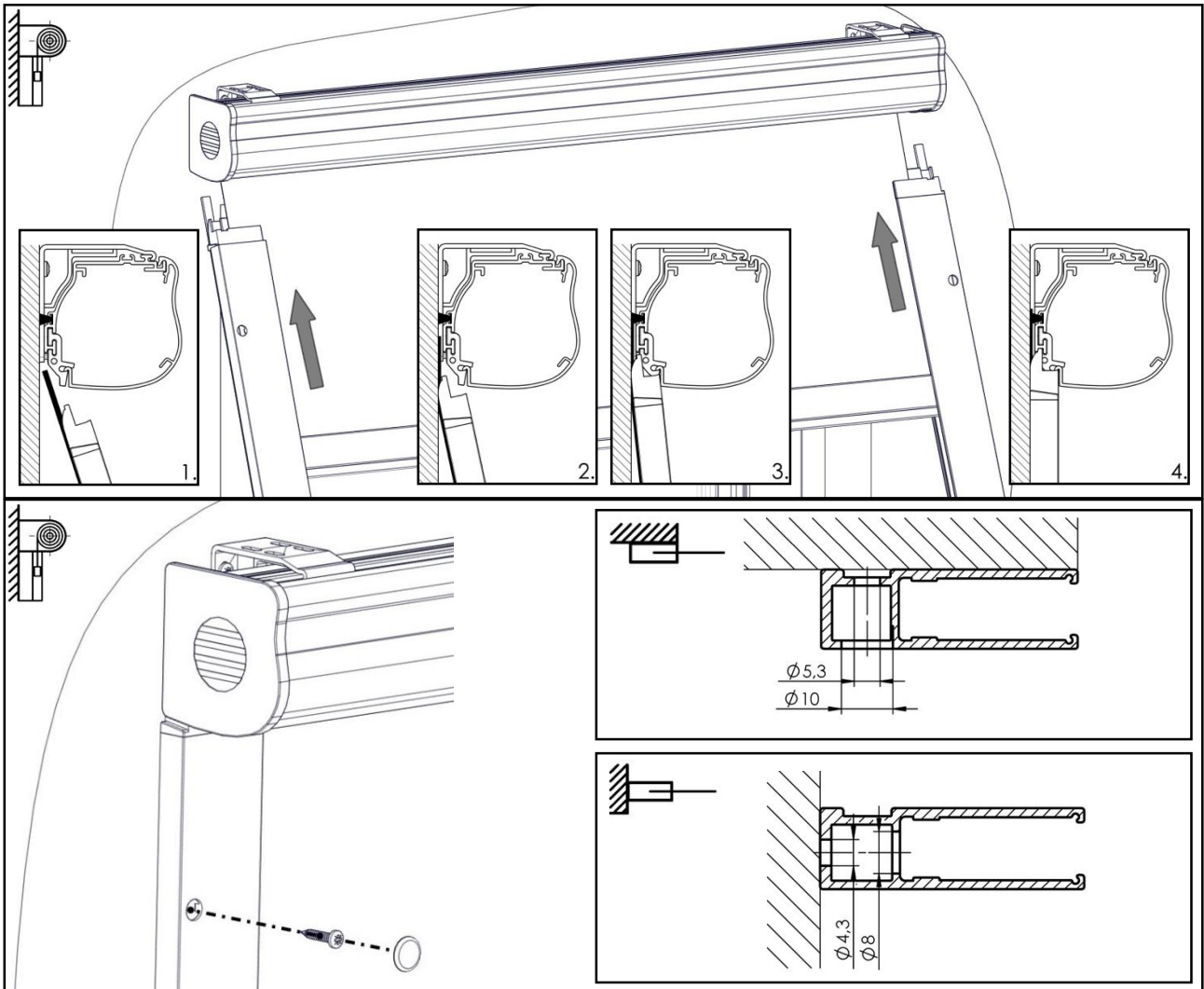




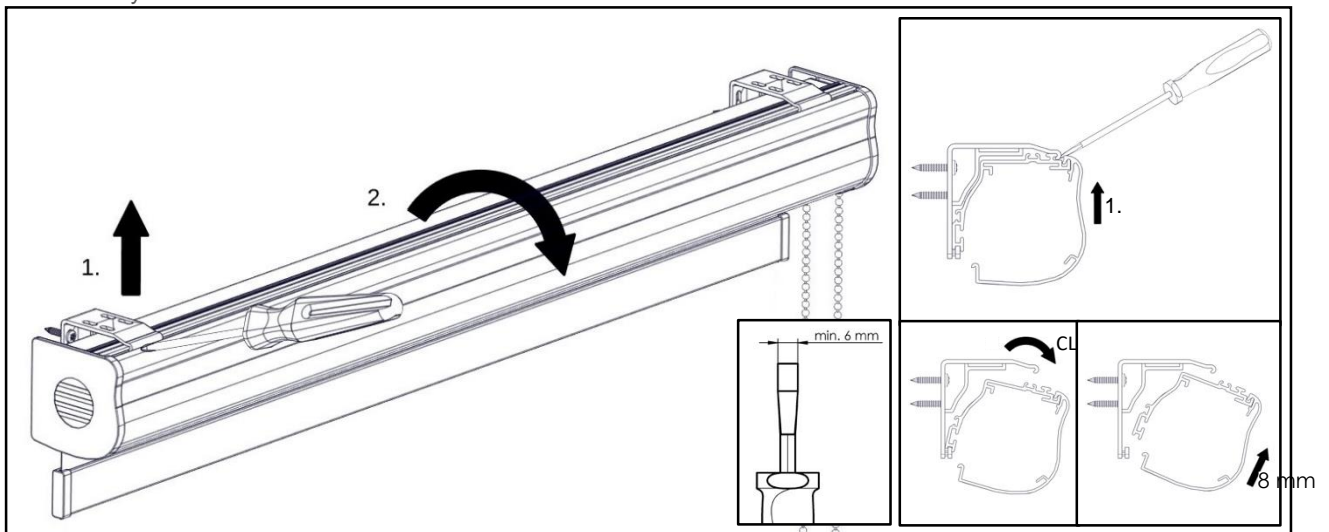


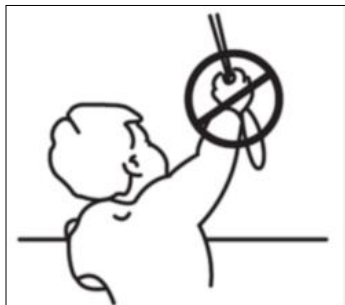






Disassembly:



**ATTENTION**

According to the norm EN 13 120 we inform you about potential danger which may occur while using control cords and chains.

Safety instructions / Strangulation danger

ATTENTION

Loops made of control cords, chains and tapes can cause danger of strangulation. To avoid tangling or strangulation place these control units out of children reach. Cords and chains might wrap around children's neck. Do not place beds or other furniture close to cords/chains. Make sure the cords/chains do not create loops.

Mounting instructions:

In case of using pulley:

The chain length must be limited as follows:

- 1) If the assembly height H_0 is not specified, and
 - i) if the aperture height H is less than or equal to 2,5 m, the length of the cord (cords) H_2 must be less than or equal to 1 m (see picture 2): $H_2 \leq 1$ m. (H_0)
 - ii) if the roller blind height H is bigger than or equal to 2,5 m, the length of the cord (cords) H_2 must be less than or equal to the screen height minus 1,5 m (see picture): $H_2 \leq H - 1,5$ m.
- 2) If the assembly height H_0 is specified, the distance from the floor to the bottom of the cord (cords) H_1 must be at least 1,5 m (see picture): $H_1 > 1,5$ m.

Distance between two cords of one loop on the top outgoing from the tube mustn't be bigger than 50 mm.

